

TPMC-3SM & TPMC-3SMD

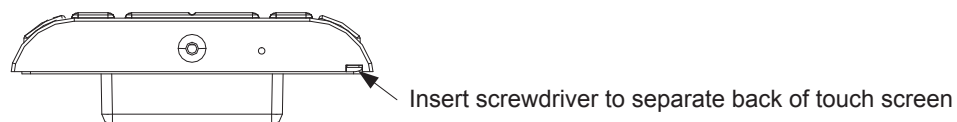
2.8" Touch Screens

1 Install the Touch Screen

The Crestron® TPMC-3SM and TPMC-3SMD touch screens install into a standard electrical box. Both are supplied with screws for installation.

To prepare for mounting, insert a small slot head screwdriver into the hole at the bottom of the touch screen, shown in the illustration below and gently separate the back of the unit.

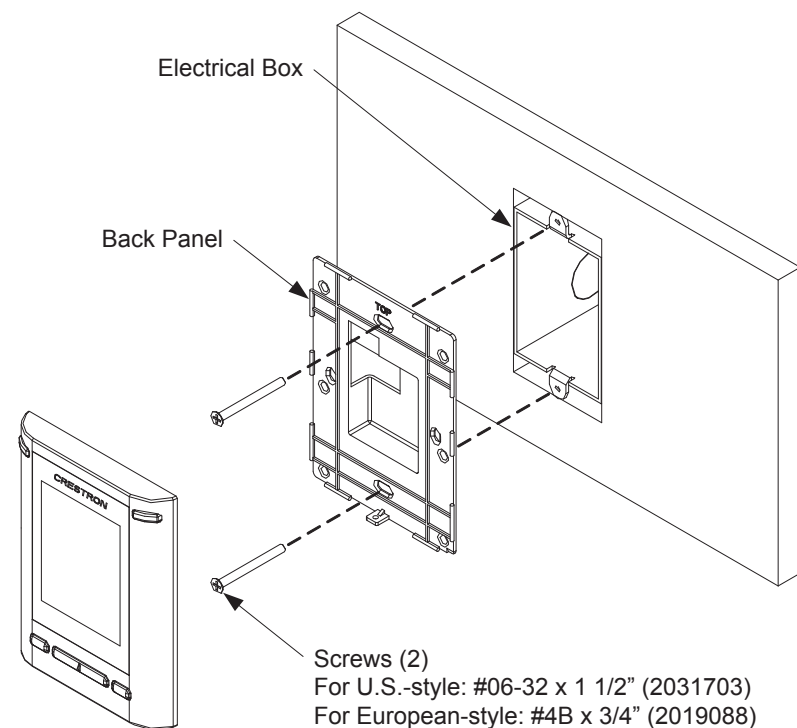
Insertion Point for Separation of Back Panel



To mount the TPMC-3SM or TPMC-3SMD into an electrical box, use the following procedure:

1. Use the two included screws to attach the back panel to the electrical box, as shown in the following illustration.
For U.S.-style installations, use the #06-32 x 1 1/2" screws (2031703).
For European-style installations, use the #4B x 3/4" screws (2019088).

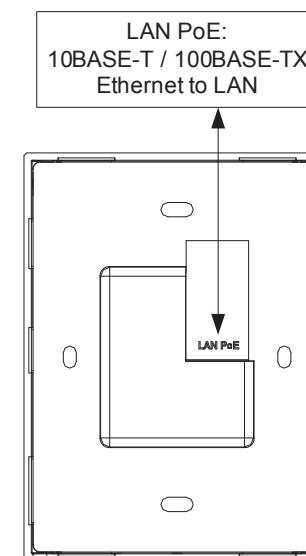
Mount the TPMC-3SM or TPMC-3SMD into an Electrical Box (U.S.-Style Electrical Box Shown)



2. When making connections to the TPMC-3SM and TPMC-3SMD, use Crestron power supplies for Crestron equipment.

Apply power after all connections have been made.

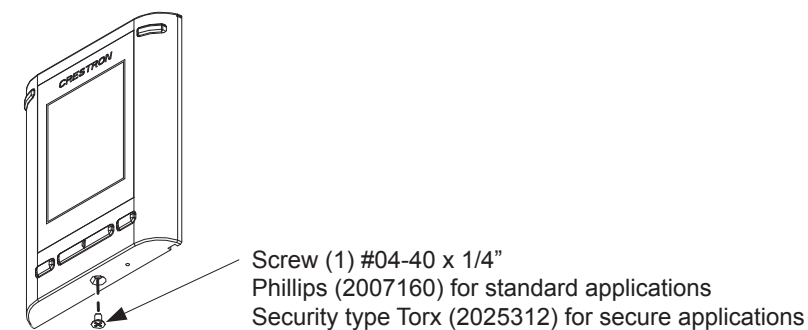
Hardware Connections for the TPMC-3SM and TPMC-3SMD



NOTE: The included cable mount ferrite bead, FBLB-7 (2032427) should be placed on the LAN cable in the electrical box.

3. Carefully position the front of the touch screen over the back panel and gently snap it into place.
4. Insert one of the included #04-40 x 1/4" screws into the bottom of the unit to secure the touch screen, as shown in the illustration below.
For standard applications, use the Phillips screw (2007160).
For secure applications, use the security type Torx screw (2025312).

Secure the TPMC-3SM and TPMC-3SMD



TPMC-3SM & TPMC-3SMD

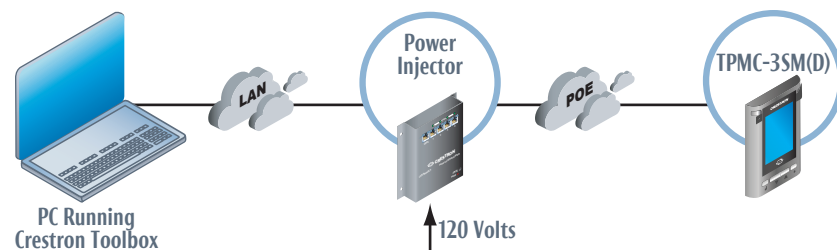
2.8" Touch Screens

2 Establish Communication


Use Crestron Toolbox™ for communicating with the TPMC-3SM and TPMC-3SMD; refer to the Crestron Toolbox help file for details.

There is a single method of communication: TCP/IP communication.

Ethernet Communication



The TPMC-3SM or TPMC-3SMD connects to PC via Ethernet:

1. Use the Device Discovery Tool (click the  icon) in Crestron Toolbox to detect all Ethernet devices on the network and their IP configuration. The tool is available in Toolbox version 1.15.143 or later.
2. Click on the TPMC-3SM or TPMC-3SMD to display information about the device.

3 Configure the Touch Screen

NOTE: The only connection required to configure the touch screen is power. Refer to step 2 in section 1 "Installation" for details.

The setup screens are the starting point for configuring the TPMC-3SM and TPMC-3SMD. When power is applied for the first time, the screen shown to the right appears.



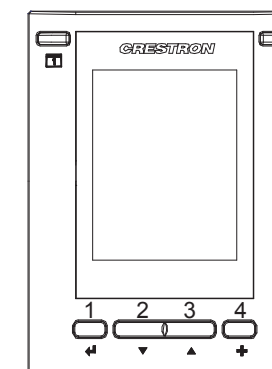
Touch the screen to display the TPMC-3SM or TPMC-3SMD "Panel Setup Options" screen, as shown in the illustration to the right. The setup screens enable basic configuration procedures prior to regular operation of the touch screen.



NOTE: During regular operation of the touch screen, there are two ways to activate the setup functions:

1. Place a button on the project main page and assign the reserved join number (17242) that activates setup.
2. Press hard keys 1, 2, 3 and 4, under the touch screen display, in sequence twice (i.e. press 1, 2, 3, 4, 1, 2, 3, 4) within a five second period.

NOTE: For details on configuring the TPMC-3SM and TPMC-3SMD, refer to the latest version of the TPMC-3SM & TPMC-3SMD Configuration Guide (Doc. 7269). It is available from the Crestron Web site (www.crestron.com).

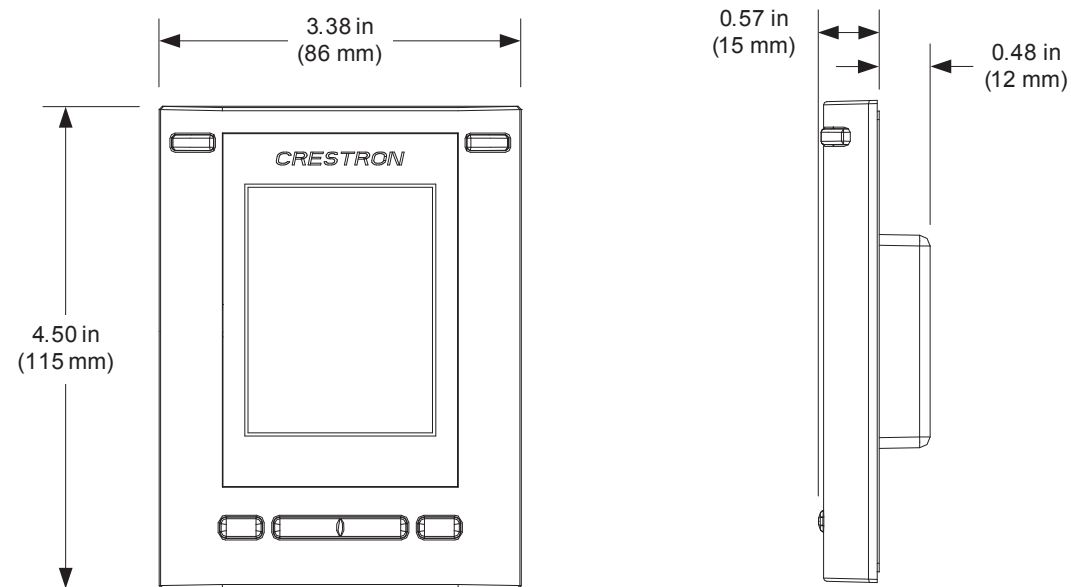


TPMC-3SM & TPMC-3SMD

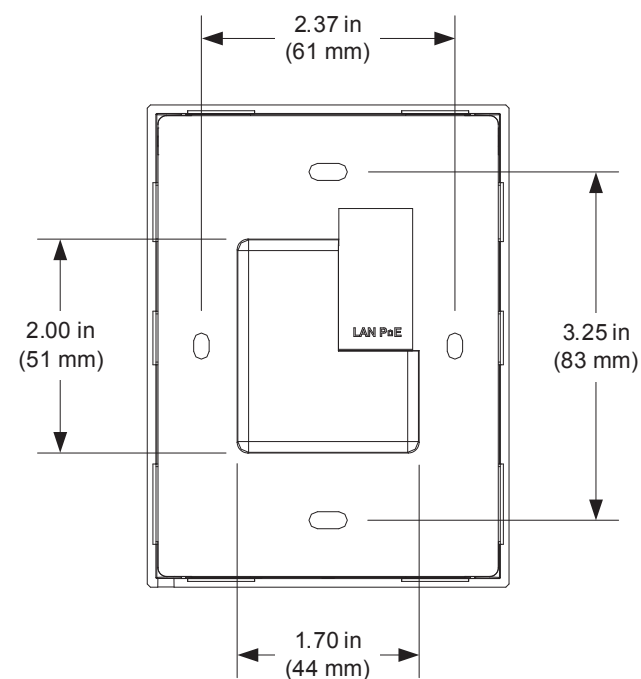
2.8" Touch Screens

4 Dimensions

TPMC-3SM & TPMC-3SMD Overall Dimensions (Front and Side Views)



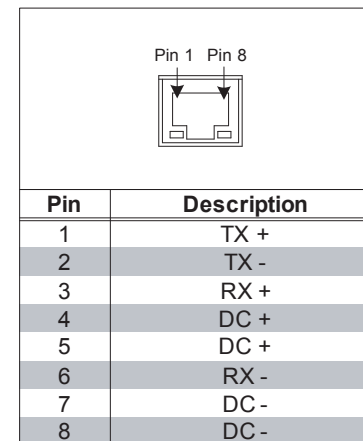
TPMC-3SM & TPMC-3SMD Overall Dimensions (Rear View)



5 Pinout Reference

The only connector on the TPMC-3SM and TPMC-3SMD is the LAN PoE port.

LAN PoE



6 Recommended Cleaning

Keep the surface of the touch screen free of dirt, dust or other materials that could degrade optical properties. Long-term contact with abrasive materials can scratch the surface, which may detrimentally affect image quality.

For best cleaning results, use a clean, damp, non-abrasive cloth with any commercially available non-ammonia glass cleaner. Bezels may not provide a complete watertight seal. Therefore, apply cleaning solution to the cloth rather than the surface of the touch screen. Wipe touch screen clean and avoid getting moisture beneath the bezels.

TPMC-3SM & TPMC-3SMD

2.8" Touch Screens

7 Specifications

Touch Screen Display

Display Type: TFT active matrix color LCD
Size: 2.8 inch (72 mm) diagonal
Aspect Ratio: 3:4 QVGA (portrait orientation)
Resolution: 240 x 320 pixels
Brightness: 350 nits (cd/m²) typical
Contrast: 500:1 typical
Color Depth: 16-bit, 64k colors
Viewing Angle: ±75° horizontal, +75/-55° vertical
Illumination: LED Backlit
Touch Screen: Resistive membrane

Buttons

Hard Keys:

TPMC-3SM: (2) programmable push buttons, translucent backlit, labeled with icons for "Today" and "Close"
TPMC-3SMD: (2) programmable push buttons, translucent backlit, labeled with icons for "power" and "lights"

Feedback/Backlight:

TPMC-3SM: (1) red and (1) green LED per hard key, programmable for feedback and backlighting
TPMC-3SMD: (1) white LED per hard key, programmable for feedback and backlighting

More (TPMC-3SM only): (1) programmable button, labeled with "more" icon

Select (TPMC-3SM only): (1) programmable button, labeled with "+" icon

Home (TPMC-3SMD only): (1) programmable button, labeled with "home" icon

Mute (TPMC-3SMD only): (1) programmable button, labeled with "audio mute" icon

V, A: (1) programmable rocker button, labeled with "down" and "up" arrow icons

Reset (bottom): (1) Recessed push button behind pinhole for hardware reset

Memory

RAM: 128 MB

Flash: 256 MB

Maximum Project Size: 20 MB

Graphic Engine

16-bit non-palette graphics, 65,536 colors, multi-mode objects; dynamic graphics and text; PNG translucency; animation, transition effects

Communications

Ethernet: 10/100 Mbps, auto-switching, auto-negotiating, auto-discovery, full/half duplex, DHCP, IEEE 802.3af and 802.3at compliant

Video

Streaming Formats: MJPEG

Connectors

LAN PoE: (1) 8-wire RJ-45 with 2 LED indicators
10BASE-T/100BASE-TX Ethernet port, Power over Ethernet compliant
Green and yellow LEDs indicate Ethernet port status

Power Requirements

Power over Ethernet: IEEE 802.3af (802.3at Type 1) Class 2 PoE Powered Device

Environmental

Temperature: 32° to 104° F (0° to 40° C)

Humidity: 10% to 90% RH (non-condensing)

Heat Dissipation: 14 Btu/h

Enclosure

Construction: Plastic, black or white, smooth finish

Mounting: Requires a 1-Gang electrical box or plaster ring, 1-Gang UK (BS 4662) electrical box, or 1-Gang European (DIN 49073) electrical box; choice of standard or security screw provided

Dimensions

Height: 4.50 in (115 mm)

Width: 3.38 in (86 mm)

Depth: 1.05 in (27 mm)

Weight

5 oz (126 g)

The specific patents that cover Crestron products are listed at patents.crestron.com.

Crestron, the Crestron logo, Crestron Toolbox and Rava are trademarks or registered trademarks of Crestron Electronics, Inc. in the United States and other countries. Other trademarks, registered trademarks and trade names may be used in this document to refer to either the entities claiming the marks and names or their products. Crestron disclaims proprietary interest in the marks and names of others. *Crestron is not responsible for errors in typography or photography.*

This document was written by the Technical Publications department at Crestron.
©2013 Crestron Electronics, Inc.